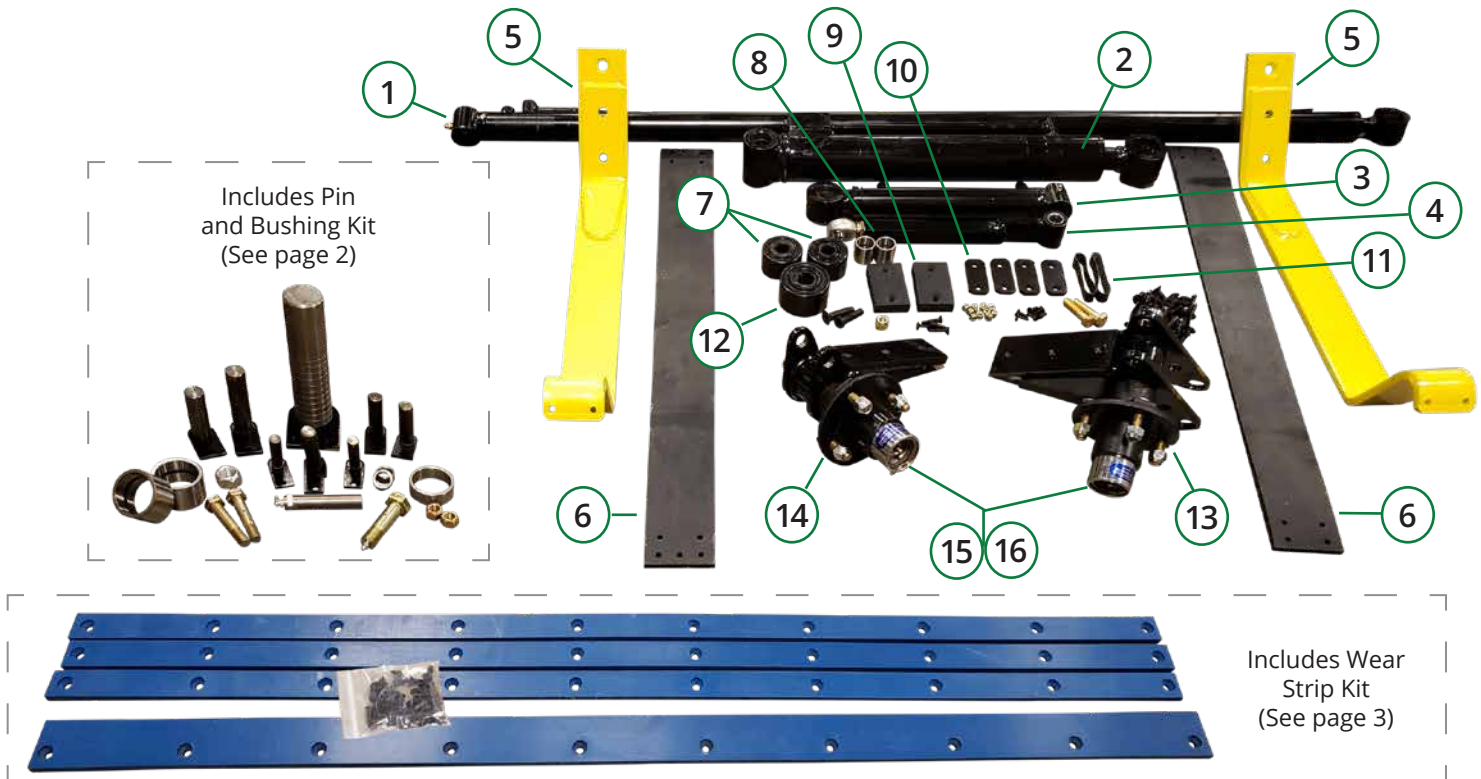


## REFURB KIT CK-856-5091



### CK-856-5091 KIT INCLUDES

| Part # | Description         | Qty                          | Part # | Description | Qty             |                                |    |
|--------|---------------------|------------------------------|--------|-------------|-----------------|--------------------------------|----|
| 1      | CK-CCP-S20          | Cylinder, Slide              | 1      | 13          | CK-AC02-S32-T   | Rear Brkt/Hub Assy             | 1  |
| 2      | CK-CCP-S22          | Cylinder, Lift/Dump          | 1      | 14          | CK-AC02-S31-T   | Front Brkt/Hub Assy            | 1  |
| 3      | CK-CCP-S19          | Cylinder, Grip/Gbr           | 1      | 15          | CK-AC02-021     | Hub/Spindle Assembly only      | 2  |
| 4      | CK-AC02-DB22        | Complete Link Bar Assy       | 1      | 16          | CK-S16-0572     | Hub Bearing Buddy              | 2  |
| 5      | CK-AC4-A001         | Grip Arm                     | 2      | -           | CK-THAS-2       | Belt Buckle Screw 1/4-20 x 1IN | 6  |
| 6      | CK-AC02-008         | Belt, Dual Belt System       | 2      | -           | CK-THAS-3       | 1/4-20 X 1 3/4 Flat Head Screw | 4  |
| 7      | CK-SE-0005-PF       | Cam Follower                 | 2      | -           | CK-THAS-4       | Hd Screw Grp Arm 1/2-13 x 2IN  | 2  |
| 8      | CK-B17-0007         | Race Inner (Tension Bushing) | 2      | -           | CK-CF-15211     | Bolt 1/2-13 x 2IN GR8          | 2  |
| 9      | CK-AC02-036         | Rubber Pad                   | 2      | -           | CK-CF-38064     | Nut Toplock 1/2IN              | 1  |
| 10     | CK-AC02-140         | Plate, Belt Retainer         | 4      | -           | CK-CF-38060     | 1/4-20 Nylon Locknuts          | 10 |
| 11     | CK-AC02-008-BR      | Belt Retainer                | 2      | -           | CK-856-5030-001 | Pin and Bushing Kit            | 1  |
| 12     | CK-SE-400-5-1148-PF | Cam Follower on Carriage     | 1      | -           | CK-856-5030-002 | Wear Strip Kit                 | 1  |

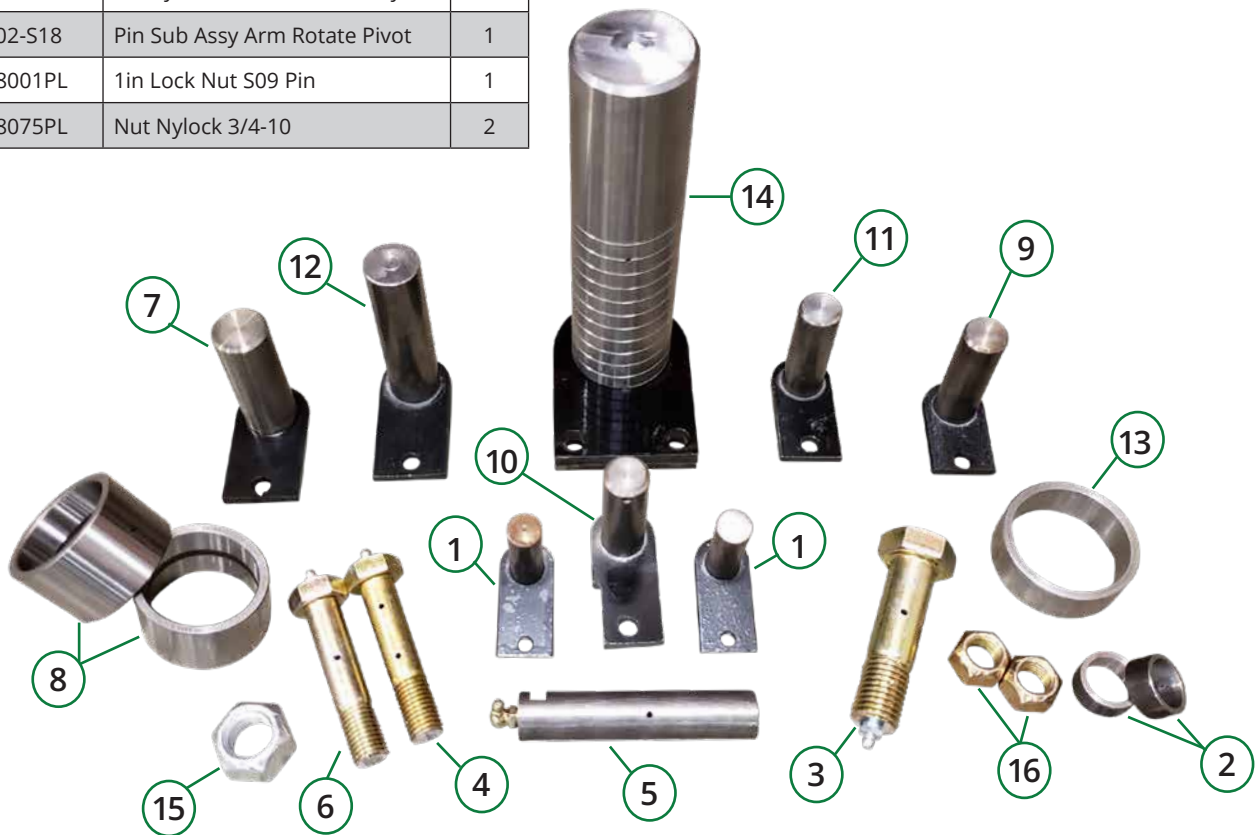
Wastebuilt Environmental Solutions, LLC and Wastequip, LLC are not affiliated with, authorized by, or sponsored or endorsed by The Heil Co. CUROTTO-CAN®, HEIL®, BAYNE, and AWTI are trademarks of The Heil Co. Their use in this brochure and on Wastebuilt's website does not represent or imply that any replacement parts are approved by The Heil Co. All Wastequip and Wastebuilt logos and service names are registered trademarks, trademarks, trade names or trade dress of Wastequip, LLC or Wastebuilt Environmental Solutions, LLC. All other trademarks or trade names not owned by Wastequip or Wastebuilt that appear herein are the property of their respective owners, who may or may not be affiliated with, connected to, or sponsored by Wastequip or Wastebuilt.

# PIN AND BUSHING KIT CK-856-5030-001

| Part # | Description   | Qty                                    |   |
|--------|---------------|--|---|
| 1      | CK-SE-S17-PF  | Pin .75 x 2.25 w/2.2                   | 2 |
| 2      | CK-AC02-023-M | Spacer For Top or Bottom               | 2 |
| 3      | CK-AC02-S09   | Pin Cyl Grab Shaft End Assy            | 1 |
| 4      | CK-AC4-A003   | Pin Link Bar Collar End                | 1 |
| 5      | CK-AC02-S10   | Pivot Pin Sub Assy                     | 1 |
| 6      | CK-AC02-S23   | Pivot Pin Belts and Link Bar           | 1 |
| 7      | CK-AC4-0002   | Collar                                 | 1 |
| 8      | CK-B17-0006   | Bearing Race Arm Pivot                 | 2 |
| 9      | CK-AC02-S11   | Pin Sub Assy Slide Cyl Butt End        | 1 |
| 10     | CK-SE-S16-PF  | Pin 1 x 3 w/3.75 Tab                   | 1 |
| 11     | CK-SE-S12     | Pin Sub Assy Slide Cyl                 | 1 |
| 12     | CK-SE-S13     | Pin Extended Tab 1.25 x 4.5 w/3.75 Tab | 1 |
| 13     | CK-AC4-A002   | Pin Cyl Rotate Shaft End Assy          | 1 |
| 14     | CK-AC02-S18   | Pin Sub Assy Arm Rotate Pivot          | 1 |
| 15     | CK-LN8001PL   | 1in Lock Nut S09 Pin                   | 1 |
| 16     | CK-LN8075PL   | Nut Nylock 3/4-10                      | 2 |

## Features of Pin & Bushing Kit

- Regular wear parts maintenance extends the reliable operation of your Can.
- Reduce Can structure wear with routine pin and bushing changes.
- Regular pin and bushing maintenance extends the Can's life with consistent wear.
- Order as a kit and save! Individual parts can also be purchased separately.



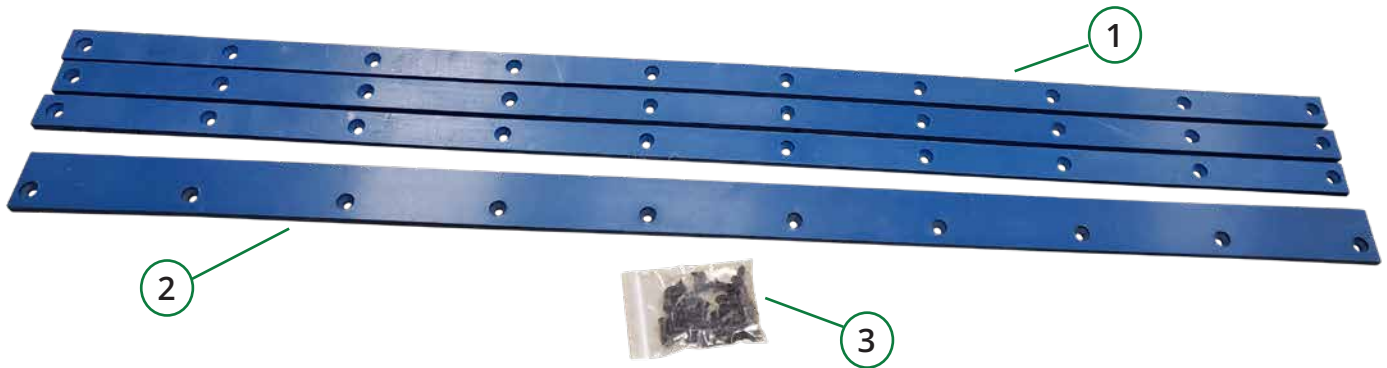
CK-856-5030-001 Pin & Bushing Kit

## WEAR STRIP KIT CK-856-5030-002

| Part # | Description                               | Qty |
|--------|---|-----|
| 1      | CK-AC02-058B Slide Wear Strip, 1.5" wide  | 3   |
| 2      | CK-AC02-058-TB Wide Wear Strip, 2.5" wide | 1   |
| 3      | CK-THAS-1 Wear Strip Screw 3/8-16X11N     | 40  |

### Features of Wear Strip Kit

- Regular wear parts maintenance extends the reliable operation of your Can.
- Order as a kit and save! Individual parts can also be purchased separately.

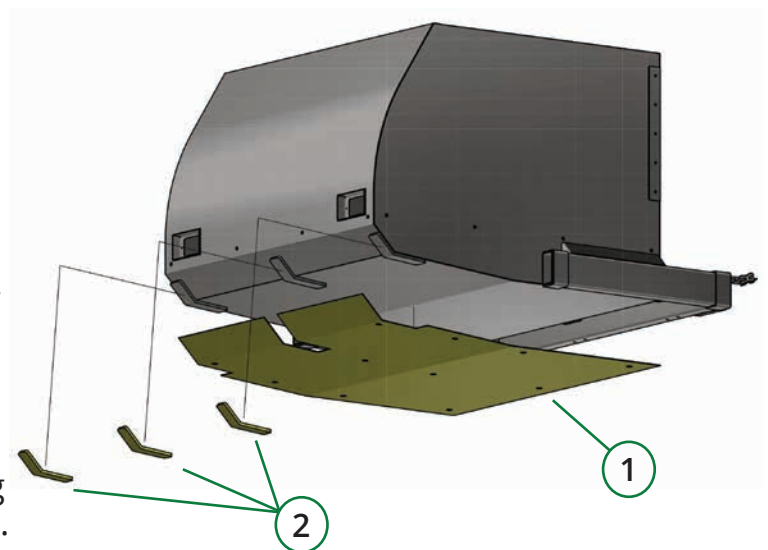


## FLOOR REFURB KIT CK-856-5092-001

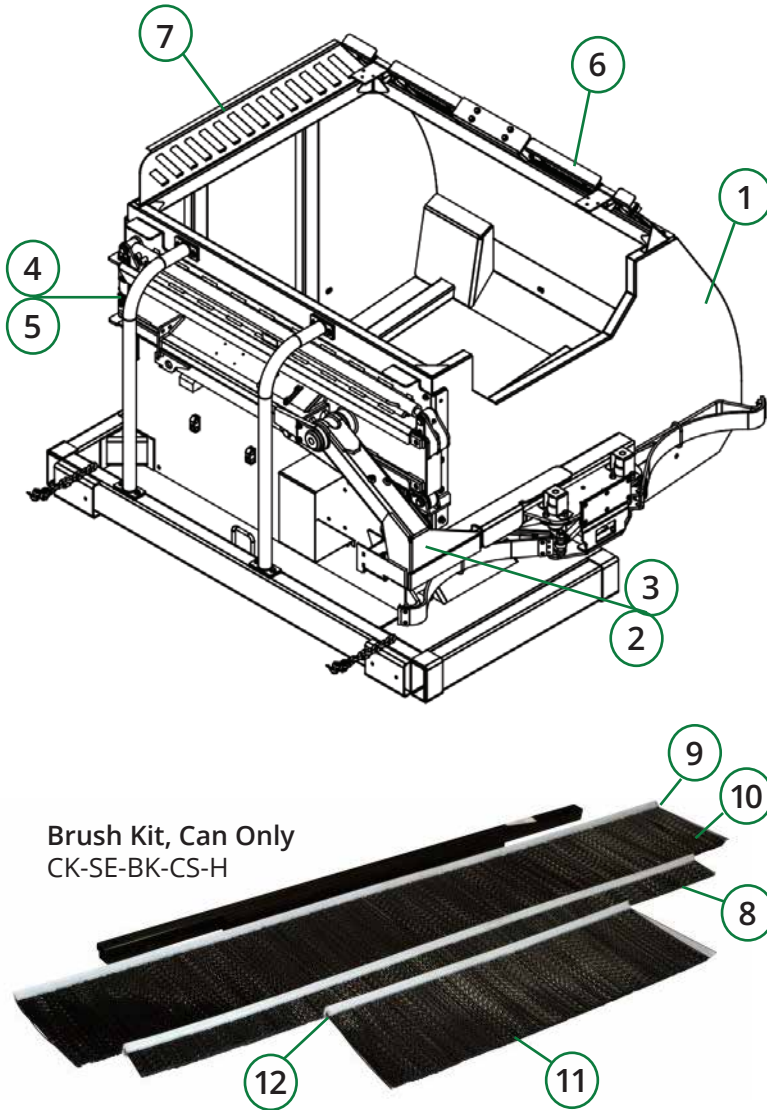
### Features of Floor Refurb Kit

| Part # | Description                                   | Qty |
|--------|---|-----|
| 1      | Included in kit Pre-formed Bottom Floor Sheet | 1   |
| 2      | Included in kit Skid Plate                    | 3   |

- Pre-formed steel bottom floor sheet.
- No need to remove original floor or any part of the Can to install.
- Spacing provided for existing and new welding points.
- Includes three (3) new skid plates, along with the pre-formed bottom floor sheet.



Backed by Wastequip®, Wastebuilt provides parts for all major OE brands, many of which are available for same-day delivery. Combined with the highest level of parts/technical knowledge in the industry, we are your premier parts supplier for all of your fleet needs.



### Can Assembly Parts

| Part # | Description                                     | Qty |
|--------|---|-----|
| 1      | CK-AC02-A03-SE Can, Bare                        | 1   |
| 2      | CK-SE-A005 Unassembled Dump Arm Kit             | 1   |
| 3      | CK-SE-S08 Dump Arm Sub Assembly                 | 1   |
| 4      | CK-SE-A06 Slide, Assy                           | 1   |
| 5      | CK-SE-A012 Slide Track                          | 1   |
| 6      | CK-AC02-A09-S Windscreen, Side                  | 1   |
| 7      | CK-AC02-A09-F Windscreen, Front                 | 1   |
|        | CK-SE-BK-CS-H Brush Kit                         | 1   |
| 8      | CK-SE-BK-B3 Brush Only Streetside 72"x2"        | 1   |
| 9      | CK-SE-BK-C1 Brush Channel - Frnt & Streetside   | 1   |
| 10     | CK-SE-BK-B1 Hopper Brush 78"x11"                | 1   |
| 11     | CK-SE-BK-B2 Curbside Brush 39"x11"              | 1   |
| 12     | CK-SE-BK-C2 Brush Channel, Can Curbside         | 1   |
| -      | CK-SE-BK-CS-M Can Side Brush Kit - McNeilus Bdy | 1   |
| -      | CK-SE-BK-TS-H Can Side Brush Kit - Heil Body    | 1   |

Brush Kit, Can Only  
CK-SE-BK-CS-H

### Other Parts (Not Pictured)

| Part #             | Description         | Qty |
|--------------------|---------------------|-----|
| CK-RRCV-01         | Solenoid            | 1   |
| CK-H03-05-04       | Control Valve       | 1   |
| CK-AC8-0007        | Joystick            | 1   |
| CK-SE-RAC-CS-KT-EC | Rotary Actuator Kit | 1   |

Wastebuilt Environmental Solutions, LLC and Wastequip, LLC are not affiliated with, authorized by, or sponsored or endorsed by The Heil Co. CUROTTO-CAN®, HEIL®, BAYNE, and AWTI are trademarks of The Heil Co. Their use in this brochure and on Wastebuilt's website does not represent or imply that any replacement parts are approved by The Heil Co. All Wastequip and Wastebuilt logos and service names are registered trademarks, trademarks, trade names or trade dress of Wastequip, LLC or Wastebuilt Environmental Solutions, LLC. All other trademarks or trade names not owned by Wastequip or Wastebuilt that appear herein are the property of their respective owners, who may or may not be affiliated with, connected to, or sponsored by Wastequip or Wastebuilt.

©2021 Wastebuilt | Bulletin #Curotto-Can-Replacement-Parts-2021-12-09